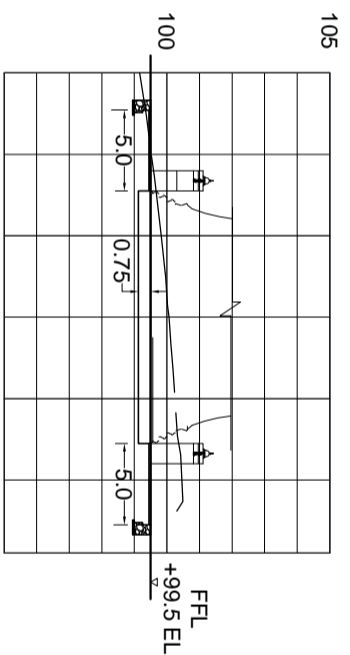


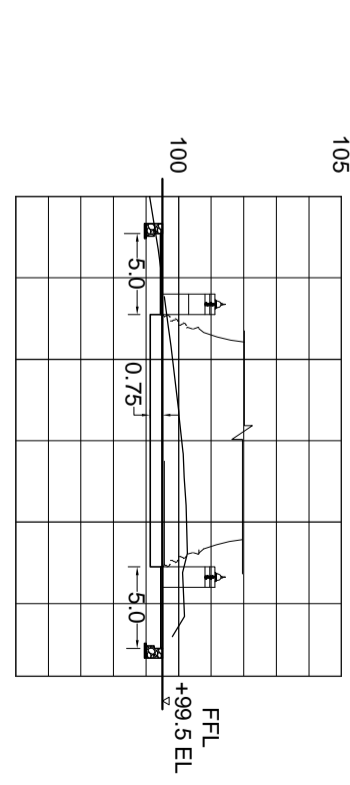
CHAINAGE	Ch0+005	Ch0+010	Ch0+015	Ch0+020	Ch0+025
EXISTING ROAD LEVEL	99.548	99.835	100.049	100.318	100.683

CSS AT 0+005



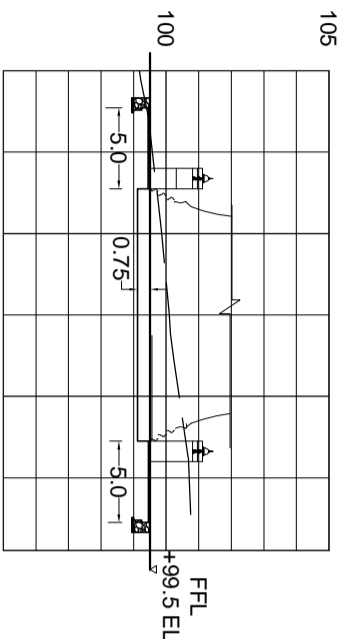
CHAINAGE	Ch0+005	Ch0+010	Ch0+015	Ch0+020	Ch0+025
EXISTING ROAD LEVEL	99.522	99.821	100.064	100.245	100.455

CSS AT 0+005



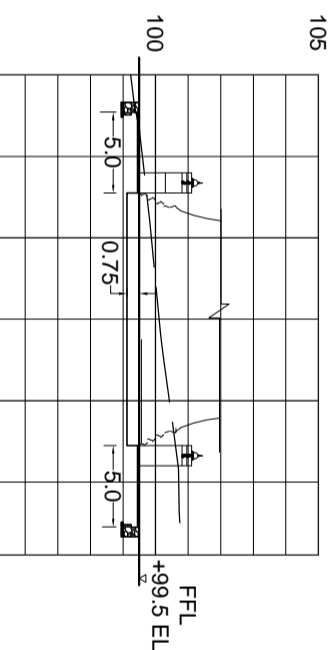
CHAINAGE	Ch0+005	Ch0+010	Ch0+015	Ch0+020	Ch0+025
EXISTING ROAD LEVEL	99.486	99.812	100.096	100.244	100.164

CSS AT 0+008



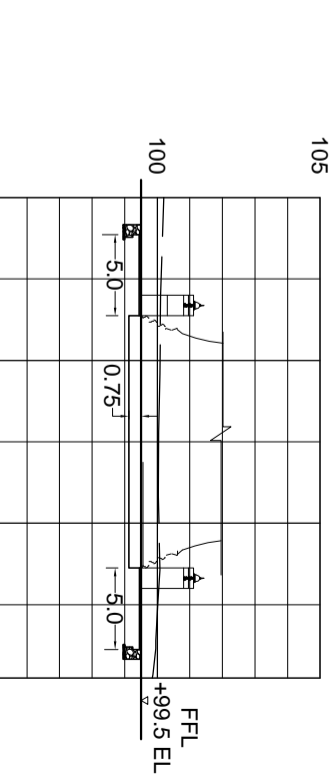
CHAINAGE	Ch0+005	Ch0+010	Ch0+015	Ch0+020	Ch0+025
EXISTING ROAD LEVEL	99.577	99.862	100.098	100.404	100.704

CSS AT 0-005



CHAINAGE	Ch0+005	Ch0+010	Ch0+015	Ch0+020	Ch0+025
EXISTING ROAD LEVEL	99.599	99.875	100.112	100.423	100.715

CSS AT 0-008



CHAINAGE	Ch0+005	Ch0+010	Ch0+015	Ch0+020	Ch0+025
EXISTING ROAD LEVEL	100.119	100.089	100.039	100.052	100.013

LONGITUDINAL SECTION

**PROPOSED STUPA FOR ARASIMALE TEMPLE
AT PULMUDEI**

CSS & LS

DATE 2017-NOV

DESIGNED BY: GRAS

SCALES: 1:500

SHEET A3

DRAWN BY: THILINI